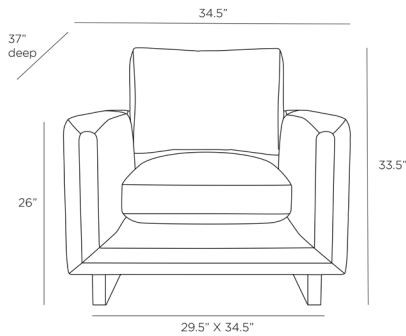


ARTERIOS

LOVELL CHAIR OYSTER LINEN DARK WALNUT



FRU02

H: 33.5 IN, W: 34.5 IN, D: 37 IN

Oyster Linen

Contract Recommendations: Adding a lacquer coating provides additional protection.

Modern and timeless, an extension of the Lovell sofa offers a new take on the tuxedo silhouette. The focal point of this chair's design is its wrap-around, cushioned arms, which add a sophisticated detail. Fully upholstered in oyster linen, the handsome frame rests on exposed wooden sled legs in a dark walnut finish. Tailored, yet comfortable, with fiber-down cushions and generous proportions. Finish will vary.

APPEARANCE

Material	Linen, Wood
Finish	Dark Walnut
Finish Will Vary	true
Top Coat/Sealant	false
Textile Contract Suitability	Low Traffic/Private Spaces

DIMENSIONS

Arm	H: 26 IN, W: 7 IN, D: 36 IN
Foot Print	W: 29.5 IN, D: 34.5 IN
Leg	H: 5.5 IN
Seat Back	H: 14.5 IN, W: 22, D: 10
Seat	W: 21 IN, D: 22 IN
Seat Height	19 IN
Seat	W: 21 IN, D: 22 IN

SHIPPING

Shipping Requirements	TruckShip
Product Weight	80 LBS
Gross Weight 1	90 LBS
Shipping Box 1	H: 33.5 IN, L: 34.5 IN, W: 37 IN

ADDITIONAL INFO

Features	Sustainable
Leg Or Foot Application	Glides
Fabric Compliancy	Barrier Cloth used for TB117-2013 and NFPA-260
Fabric Cleaning Code	S - dry clean only
Fabric Content	52% Linen, 38% Viscose, 10 % Nylon
Fabric Rub Count	30,000
Yardage To Reupholster	5.5
Foam Compliancy	TB117-2013, NFPA-260

CONTRACT

Contract Suitable	Adding a lacquer coating provides additional protection
-------------------	---